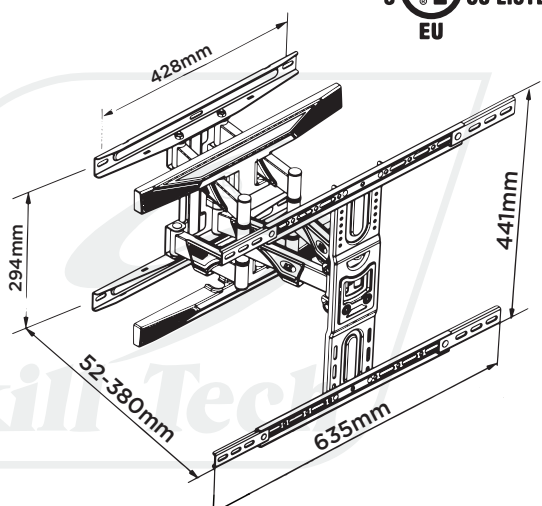
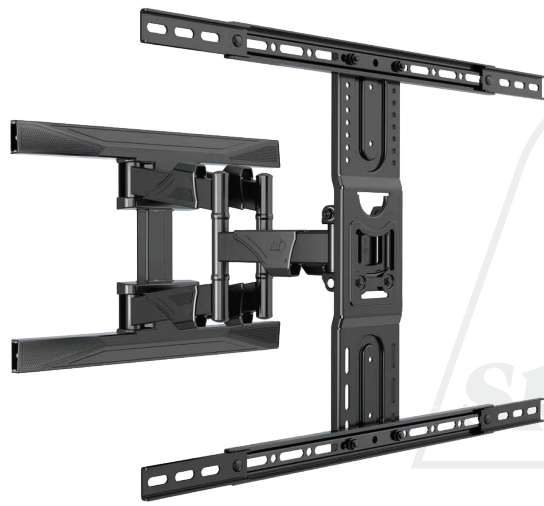


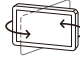
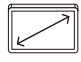
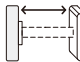


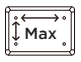
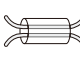

P6

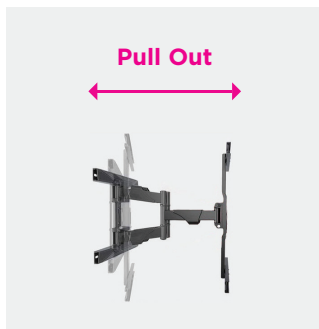
Full-motion LED/LCD/Curved TV Wall Mount For most 45" ~ 80"



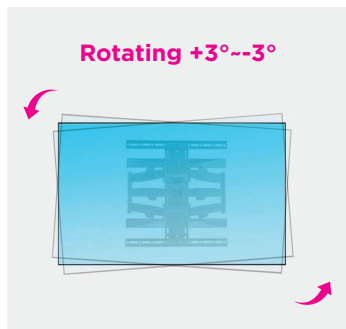
New Design New Experience



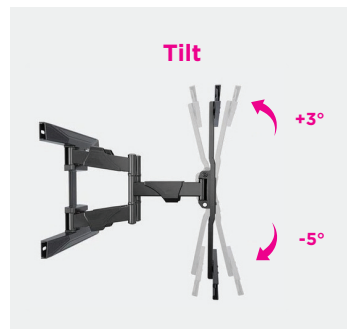
- 
Swivel Range
+90°--90°
- 
Screen Size
45"~80"
- 
Profile to Wall
52-380mm
- 
Weight Capacity
46 Kg
- 
Screen Rotation
+3°--3°
- 
VESA Compatible
600x400
- 
Cable Management
- 
Tilt Range
+3° ~ -5°



Pull Out
Holds your TV and move forward / backward according to your preference.



Screen Rotation
Screen rotation is available the level adjustment of the screen.



Tilting
Tilt reduce the glare of overhead lights or if your monitor is too high and can't be adjusted to your eye level.



Swivel
Flat/Curved TV wall mount, but it also allows for you to move your TV horizontally to the left or right